

KLEENLINE™

Can Liners

BY WAXIE®



All KleenLine™ Can Liners:

- Blend of quality and economy
- Our best can liner value
- Manufactured with “right sizing” and “source reduction” in mind
- Range of sizes and thicknesses designed to fit most trash cans

Choose from:

- High Density Liners (HDPE) for light trash
- Low Density Liners (LLDPE) for heavy trash

Item #	Product Description	Plastic Type	Case Count	Coreless Roll Put-up
708100	33x39 1.3 mil black	LLDPE	100	N/A
708101	38x58 1.3 mil black	LLDPE	100	N/A
708102	40x46 1.3 mil black	LLDPE	100	N/A
708103	24x33 08 mic natural	HDPE	1,000	20/50
708104	43x47 1.5 mil black	LLDPE	100	N/A
708105	24x24 06 mic natural	HDPE	1,000	20/50
708106	30x37 08 mic natural	HDPE	500	20/25
708107	33x40 16 mic natural	HDPE	250	10/25
708108	37x46 12 mic natural	HDPE	250	10/25
708109	37x46 16 mic natural	HDPE	250	10/25
708110	40x48 13 mic natural	HDPE	250	10/25
708111	43x48 16 mic natural	HDPE	200	8/25

(800) 995-4466
www.waxie.com



Corporate Headquarters
9353 Waxie Way
San Diego, CA 92123

SOURCE REDUCTION THROUGH TECHNOLOGY

Advanced polymer blends offer:

- Improved performance at thinner gauges
- High-quality prime resin
- Star-Seal – the strongest seal available

Savings. Why buy more plastic than you need?

Better performance at thinner gauges means purchasing less plastic for the same job. Advanced Polymer Blends!

Source reduction facts:

- Less plastic is needed for the same job
- Reduces greenhouse gas emissions
- Double bagging not required

SOURCE REDUCTION THROUGH MINERALS

Up to 14% natural materials. Non-petrochemical reinforcement additive.

- A natural mineral reinforcement additive
- Greatly enhances the durability of the bag
- Non-petrochemical, abundant and all-natural

Savings. With enhanced durability and dependability, product failures become nearly obsolete, creating better workplace efficiencies.

Better performance at thinner gauges means purchasing less plastic for the same job. Advanced Polymer Blends!

Source reduction facts:

- Reduces energy used to produce bag
- Uses an abundant all-natural mineral
- Reduces the reliance on petrochemical materials

SOURCE REDUCTION THROUGH RESEARCH

Savings. Eliminates the purchasing of oversized bags, and promotes product consolidation and SKU reduction.

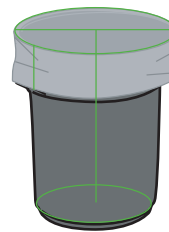
- Ensures the correct match between liner and can
- No more guess work – the Right-Size product line
- Prevents the bag from falling into can

Source reduction facts

- Reduces plastic going into landfills
- Ensures plastic is not wasted due to over-sizing
- Improves supply chain efficiencies – packaging and transportation, etc.

The “Right-Size” Product Line

Quick Pick Liner Matching System

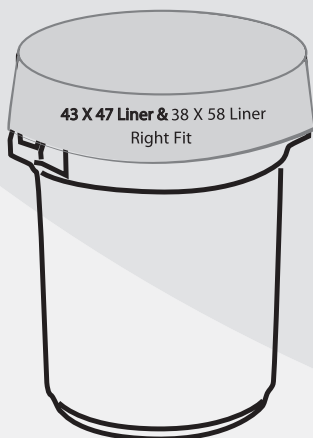


Don't buy more bags

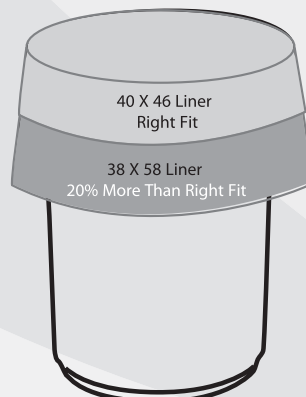
1. We identified the most common cans in the market place.
2. Each bag was hand tested for the right size with proper overhang.
3. A “Right-Size” product line was designed that eliminates guess work, and saves you money

“RIGHT-SIZING” YOUR CAN LINER ADDS UP! WHY “SUPER-SIZE” WHEN YOU CAN “RIGHT-SIZE” AND SAVE MONEY AND CONTRIBUTE TO SOURCE REDUCTION?

55 Gallon Container



44 Gallon Container



32 Gallon Container

